

Siegbert Spohr GmbH

GIESSEREIBEDARF + FÖRDERBANDROLLEN

Am Korreshof 1-3
D- 40822 Mettmann
<https://www.spohr-gmbh.de>
<https://www.tragrollen24.de>

Telefon +49 (0) 2104 70374
Telefax +49 (0) 2104 82550
E-Mail info@spohr-gmbh.de
USt-IdNr.: DE177079130

Questionnaire Guide Rollers

quantity

standard



steel



plastic



rounded bottom



diablo



Material + Surface

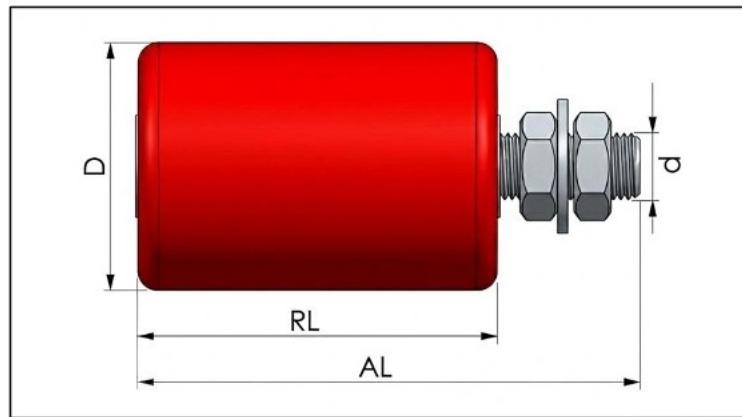
Tube steel plastic stainless-steel _____

Surface powder coated red in RAL 3000 (standard)
 blank galvanized grounded other _____

Axis steel (blank) stainless-steel other _____

Bearing steel NIRO bearing type _____

Dimension



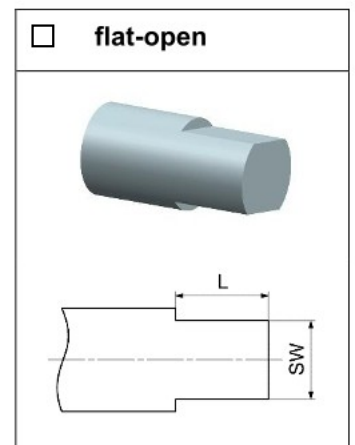
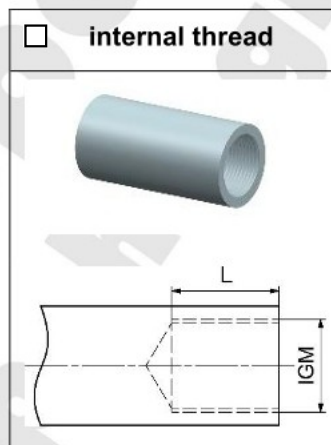
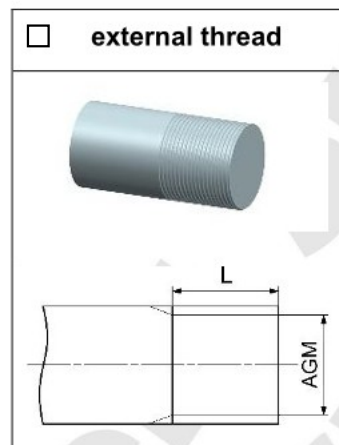
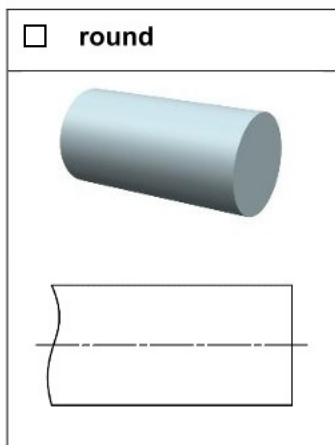
roller-Ø D	Roll length RL	axis-Ø d	Axis length AL	length SW AL

If diablo:

Ø 1:

Ø 2:

Shaftends



Dimension of the shaftend:

SW: mm

AG: M

IG: M

L: mm

If you would like a flat open shaftend with an external thread, please enter both values.

Rubber rings and rubber coatings

If you want to use the roller with rubber or rubber bands (supporting rings, impact rings, polyurethane rings etc.) please use our **questionnaire rubber rings and rubber coatings**. This will help you with the exact description.

Rubber thickness : mm

End diameter : mm

Quality :

grinded : yes no

non-binding request

Siegbert Spohr GmbH
www.spohr-gmbh.de