

# Siegbert Spohr GmbH

GIESSEREIBEDARF + FÖRDERBANDROLLEN

Am Korreshof 1-3  
D- 40822 Mettmann  
https://www.spohr-gmbh.de  
https://www.tragrollen24.de

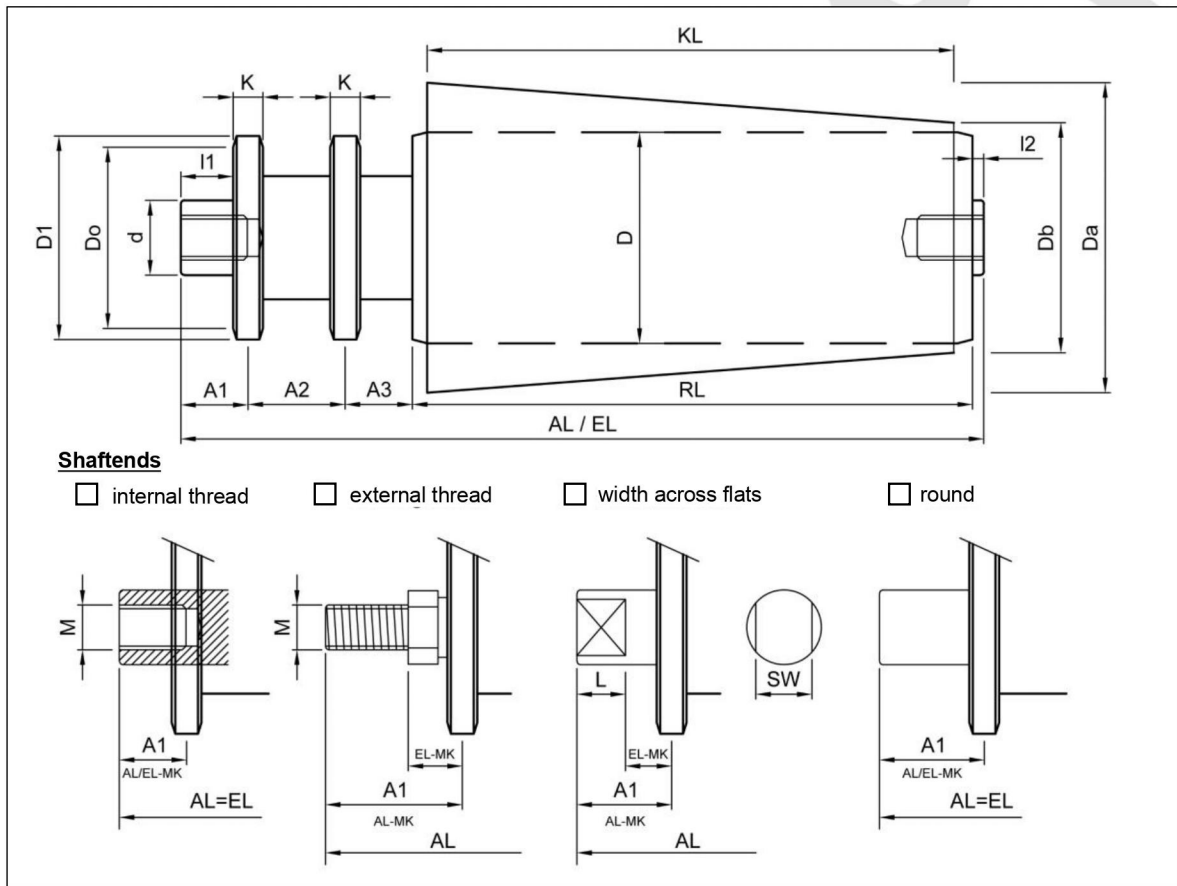
Telefon +49 (0) 2104 70374  
Telefax +49 (0) 2104 82550  
E-Mail info@spohr-gmbh.de  
USt-IdNr.: DE177079130

## Questionnaire Rollers

for rollers with Double-Chain-Sprocket, conical

quantity

### Dimension



tube-length RL	clamping-length EL	shaft-length AL	tube- Ø D	shaft- Ø d	sprocket Do	sprocket D1	AL/EL- MK A1	MK-MK A2	MK-RL A3	over- lap l1	over- lap l2

### Material + Surface

Tube :

- powder coated     galvanized     blank  
 rubberized \_\_\_\_\_ mm     PVC     stainless-steel

Conus :

KL : \_\_\_\_\_    Da = \_\_\_\_\_    Db = \_\_\_\_\_    material = \_\_\_\_\_

Chain-Sprocket :

- drive     permanent     accumulation  
material     steel     PVC     stainless-steel  
dimension    inch : \_\_\_\_\_    mm : \_\_\_\_\_  
no. of teeth : \_\_\_\_\_    sprocket width K = \_\_\_\_\_

non-binding request