

# Siegbert Spohr GmbH

GIESSEREIBEDARF + FÖRDERBANDROLLEN

Am Korreshof 1-3  
D- 40822 Mettmann  
<https://www.spohr-gmbh.de>  
<https://www.tragrollen24.de>

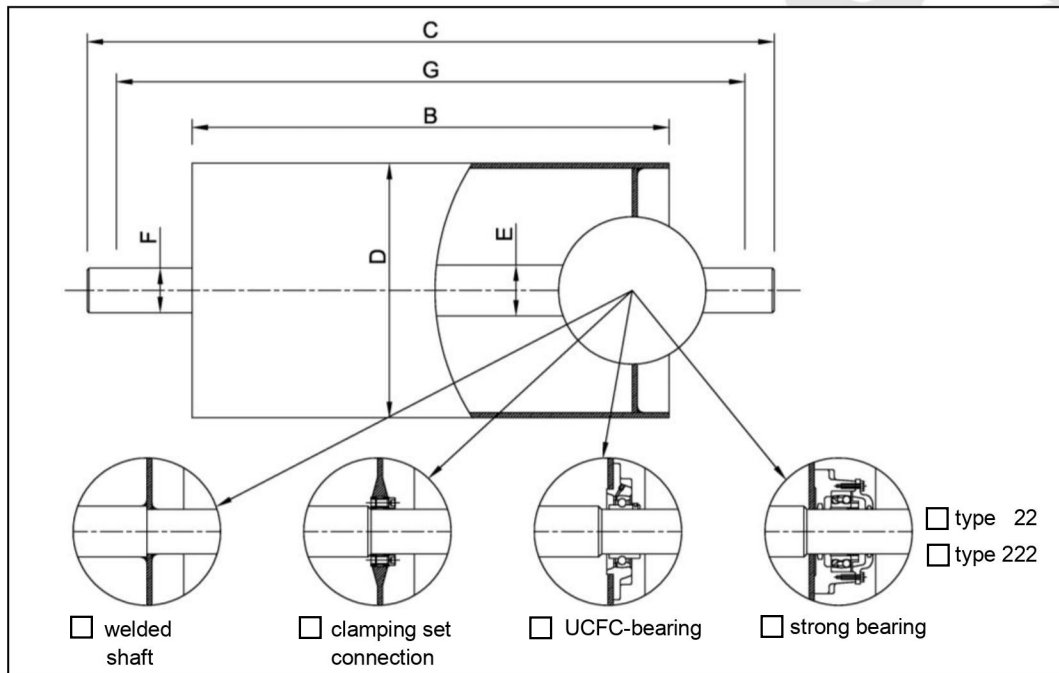
Telefon +49 (0) 2104 70374  
Telefax +49 (0) 2104 82550  
E-Mail [info@spohr-gmbh.de](mailto:info@spohr-gmbh.de)  
USt-IdNr.: DE177079130

## Questionnaire Drums

for Tail Pulley / Tail Drums (UT)

quantity

### Dimension



pulley length B	shaft length C	pulley-Ø D	shaft-Ø E	bearing-Ø F	distance bearings G

### Material + Surface

- |               |                                      |  |
|---------------|--------------------------------------|--|
| Tube          | <input type="checkbox"/> steel       | <input type="checkbox"/> stainless-steel |
| Axis          | <input type="checkbox"/> steel       | <input type="checkbox"/> stainless-steel |
| Bearing       | <input type="checkbox"/> steel       | <input type="checkbox"/> stainless-steel |
| Pulley casing | <input type="checkbox"/> cylindrical | <input type="checkbox"/> crowned         |

- Coating  no  yes  Rubber coating, plain  mm  
 Rubber coating, rough  mm  
 Ceramic coating
- Painting  complete  ends  without
- Pedestal bearing  without  with  Bearing type 12 (self-aligning bearing)  
 Bearing type 22 (self-aligning bearing)  
 Bearing type 222 (self-aligning bearing)

only inside mounted pulleys / drums

- Shaft end  turned, round  mm  
 with wrench flat SW  x  mm  
 with cross-hole  mm  
 with cross-hole, with thread  mm, IG M

non-binding request

Siegbert Spohr GmbH  
www.spohr-gmbh.de